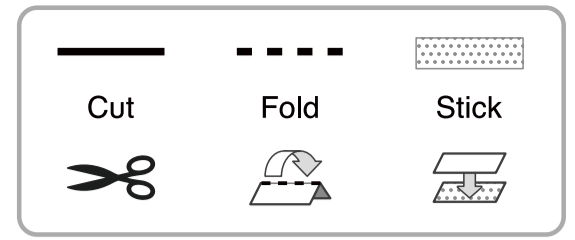
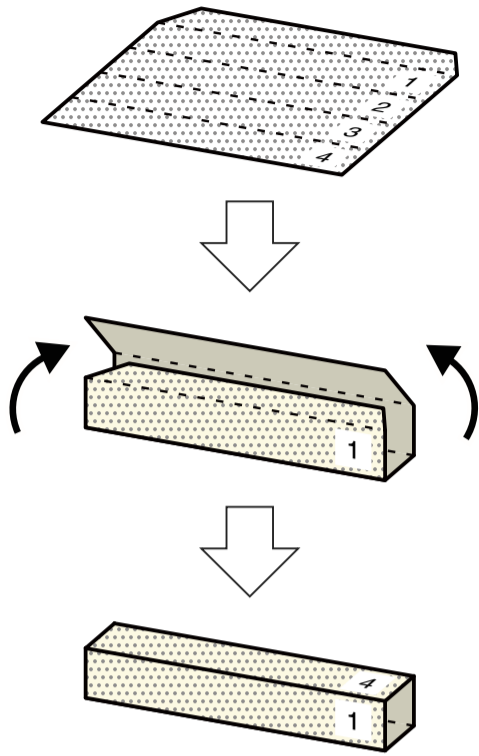


Create + Make: Spinning Animation

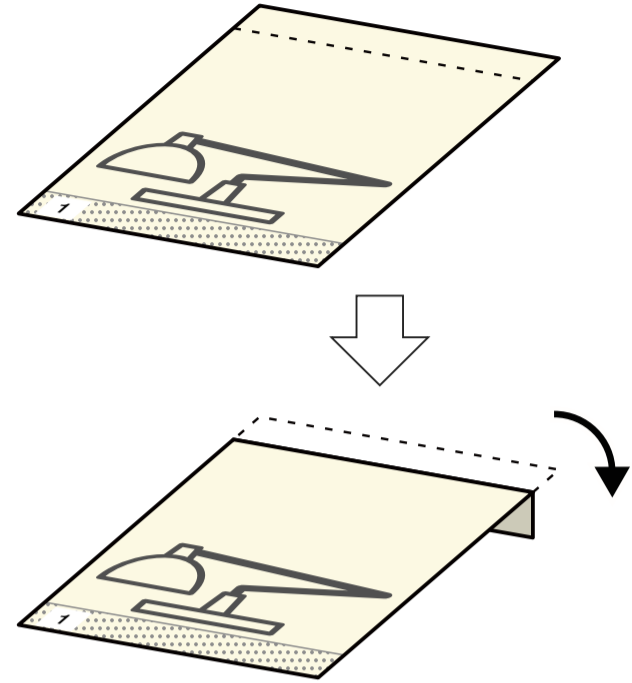
How to make



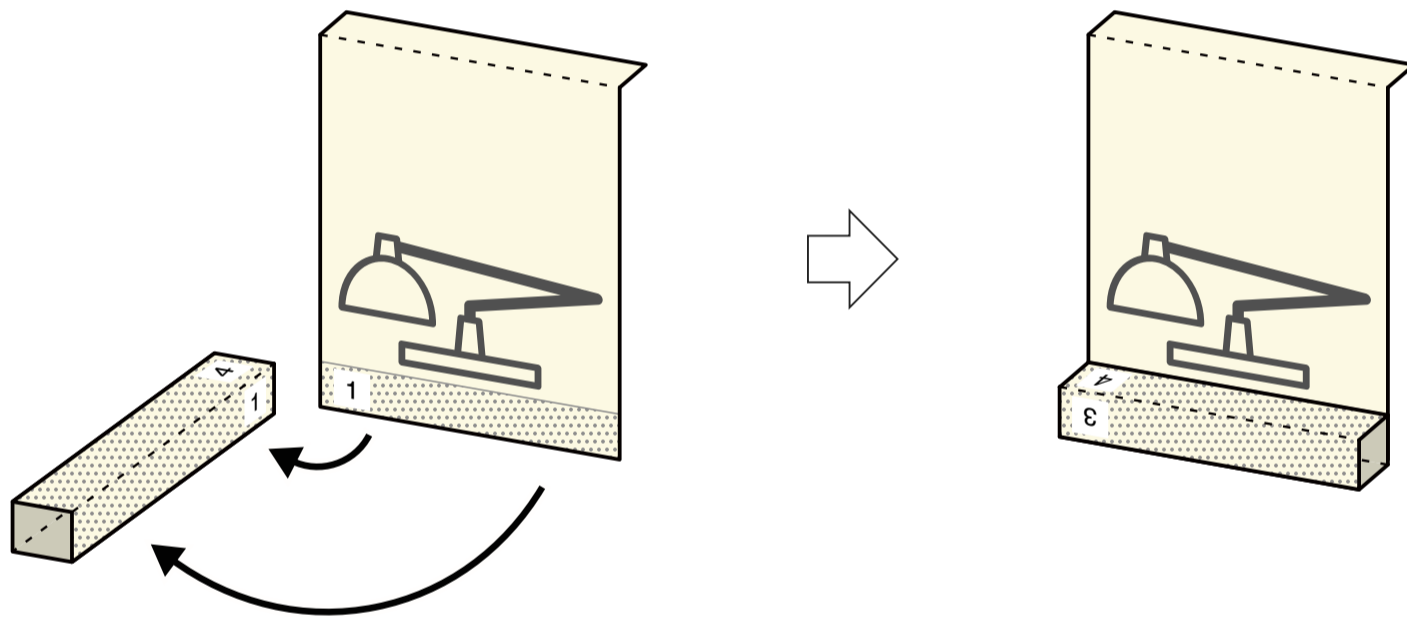
1) Cut and fold the centre pipe part like this.



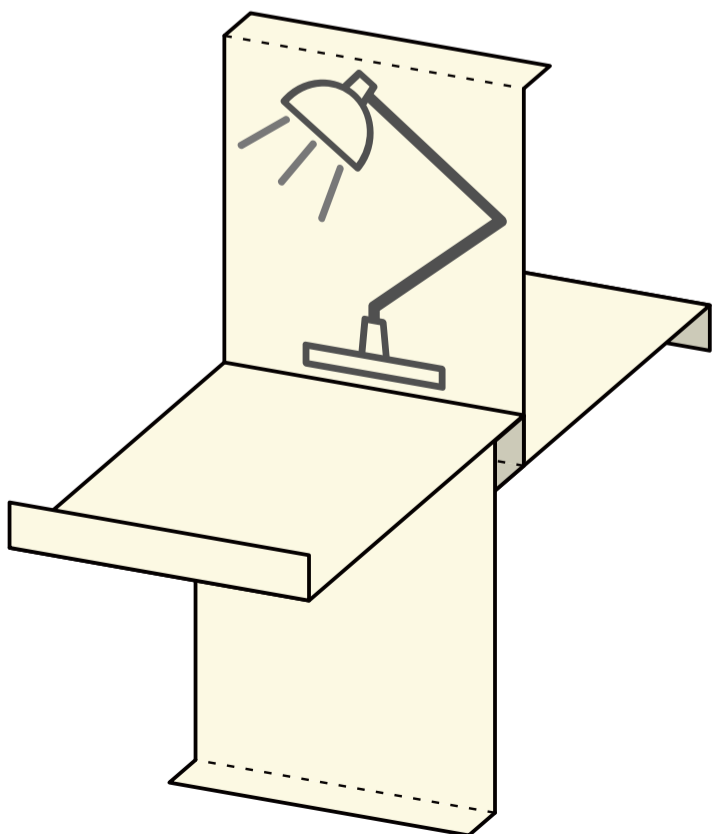
2) Cut and fold each picture card.



3) Stick each card to the pipe, matching the numbers.



4) Finished model.



5) Put a pencil (pen, etc) in the centre pipe.

Hold both sides of the pencil.
Blow the bottom part slowly. The picture will move!!

